

**Shaping your
success –
be one step
ahead.**

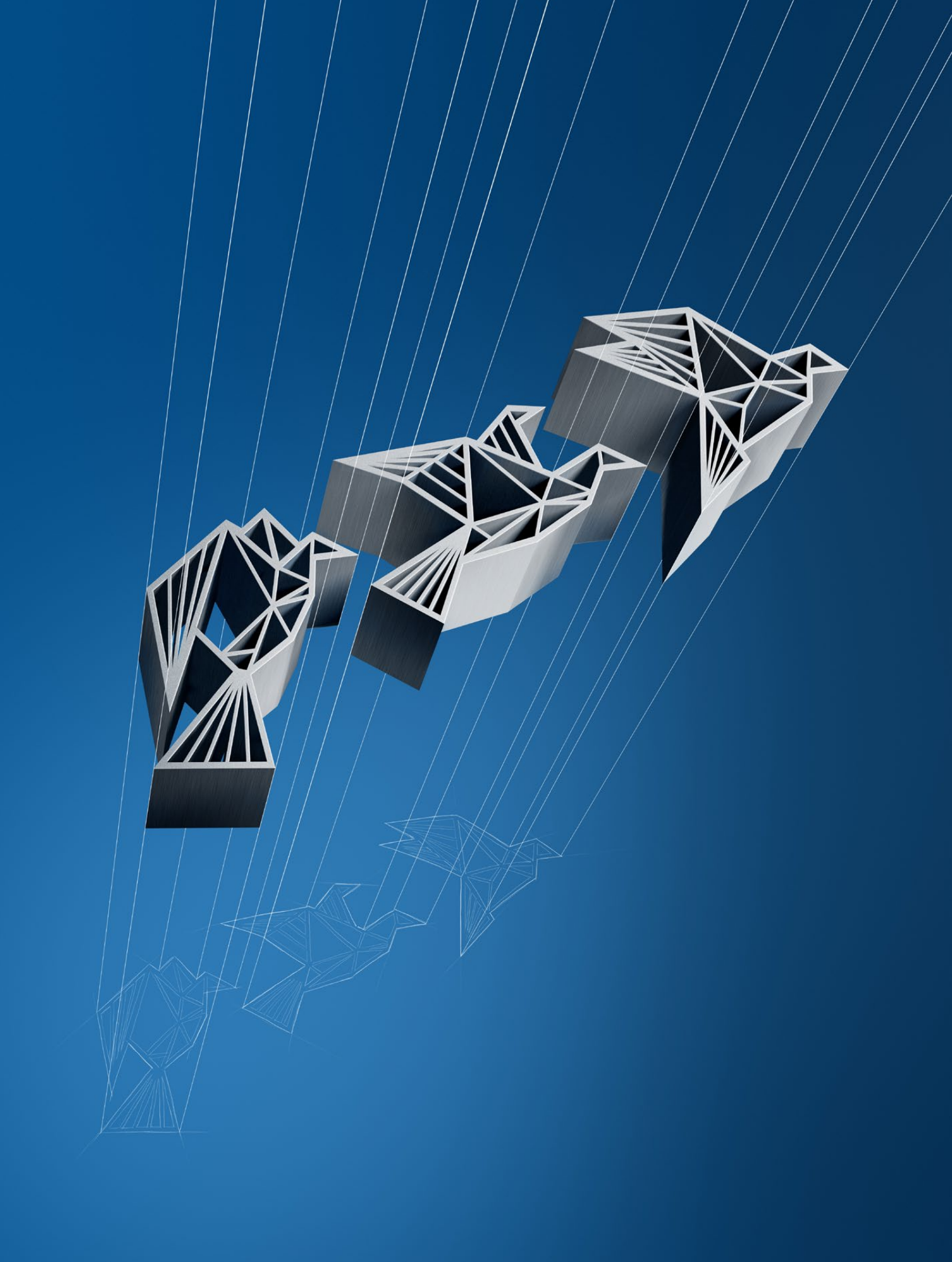


STEP/G



With its diverse properties, aluminium is a real all-rounder. The combination of low weight, great strength and a long service life is the optimum prerequisite for a wide range of applications. There are hardly any limits when it comes to further processing. Welding, forming, punching – these and all conventional methods can be employed with no problems. As a fully recyclable material, aluminium also makes a valuable contribution to environmental protection. It is therefore no wonder that we have been devoting all our attention to this special material for more than 100 years.

In doing so we never lose sight of our values – innovation, high performance, openness and continuity. They make us what we are – one of the global leaders in the field of aluminium components and extruded profiles.



**A person with
a new idea is a
crank until the
idea succeeds.**

// Mark Twain



STEP-G offers its customers the greatest possible flexibility with customised alloys.

// Alloys

We connect

As an expert for hard and soft alloys, we are the right partner for you if you need innovative solutions. We secure you decisive advantages that make sure you are always one step ahead.



The company's in-house foundry and many years of know-how make STEP-G your ideal partner.

// Casting

We shape the world

With our in-house foundry we are able to respond individually to customer requirements and optimally satisfy all alloy demands.



With a diameter of up to 500 mm, the large profiles from STEP-G are the perfect solution for a wide range of applications.

// Large profiles

We think big

Our special large profiles that we supply throughout Europe offer a number of advantages. With their low weight and the optimum further processing options, there is tremendous scope for design and different applications. During the development of lightweight profiles, we already support our customers at the design phase.



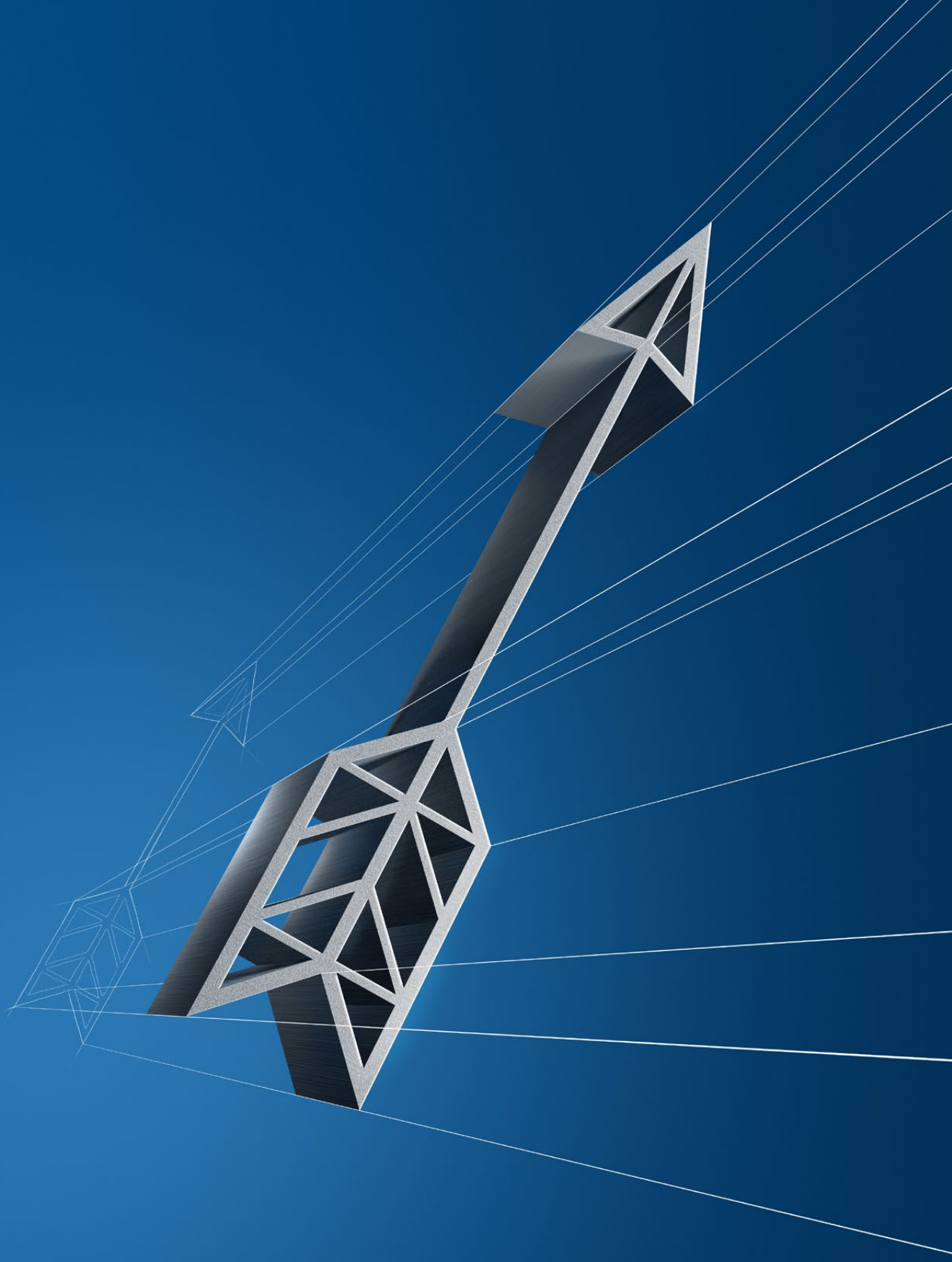
The wide range of further processing options is part of the comprehensive STEP-G service portfolio.

// Further fabrication

We think ahead

With our wide range of state-of-the-art machining centres we can process the extruded products in very different ways. The results are tailored solutions with the highest possible quality that optimally satisfy the individual needs of our customers.

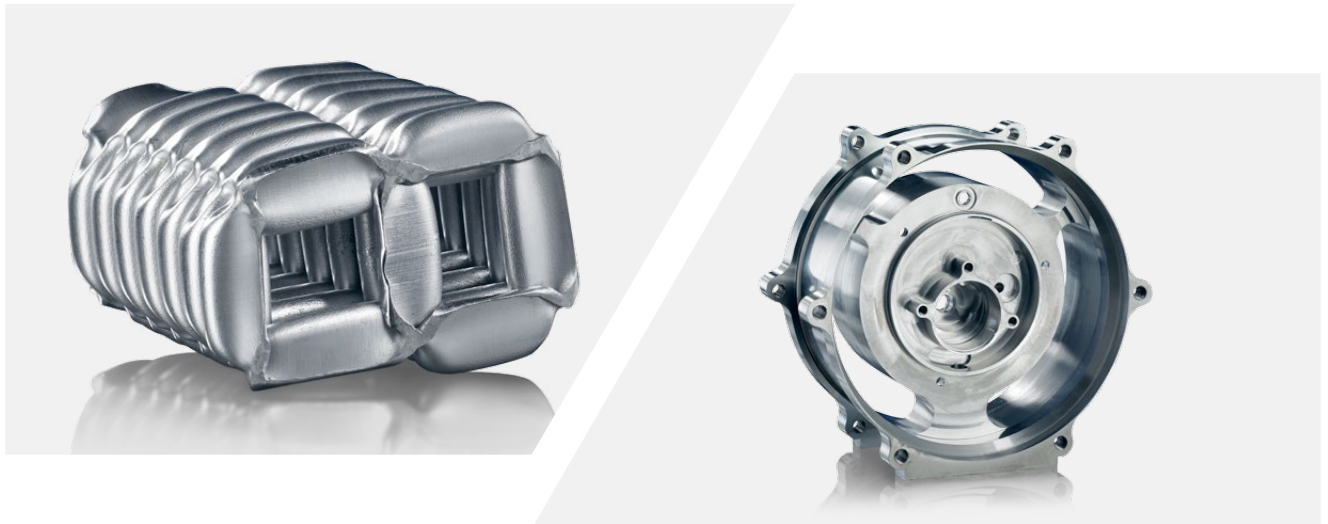
- / Long and short part processing
- / CNC machining
- / Automatic and manual welding
- / Punching
- / Automatic grinding
- / Bending
- / Riveting
- / Bonding
- / Sawing
- / Assembly



**Innovations
are a pact with
the future.**

// Hans-Jürgen Quadbeck-Seeger

Our aluminium products are ...



... on the road

// Automotive

Our aluminium components have been in use in the automotive sector for many years. In the form of crash profiles and patented crash alloys they ensure that safety on the road is guaranteed. As safety and environmental protection go hand in hand in our company, we also focus on innovation in the field of e-mobility. We not only make extruded profiles for this branch of industry, but also produce complete components such as the engine casing for electric and hybrid vehicles.

... in the sky

// Aerospace

In the aerospace sector, customer requirements are decisive for the final product. Our profiles in hard alloys considerably lower the weight of aerospace components. Combinations of a wide range of alloys and specifications in compliance with international standards are our daily business.



... on rails

// Railway vehicles

As one of the leading manufacturers of semi-finished aluminium products and components for rail vehicle construction, we rely on state-of-the-art technology and the highest quality. Our long-standing know-how is a central driving force in our success, especially in the field of large profiles, complex cross-sections and assemblies such as side walls, roof and floor panels. Our customers receive the manufacturing depth that they need – whether this is in the field of large profile production, machining, welding or the production of assemblies and components.

... in (energy) flow

// Energy transport

We offer our customers a broad product portfolio for energy transport that is geared to the future. We always have the right solution ranging from bus bars through to casing pipes, profile conductors and excellent electrical conductivity. Diameters of up to 500 mm as well as supplied lengths of up to 30 metres and direct delivery at the construction site are our customer-friendly reaction to market requirements. Special packaging and track-proven protective covers guarantee dirt-free storage at the construction site.

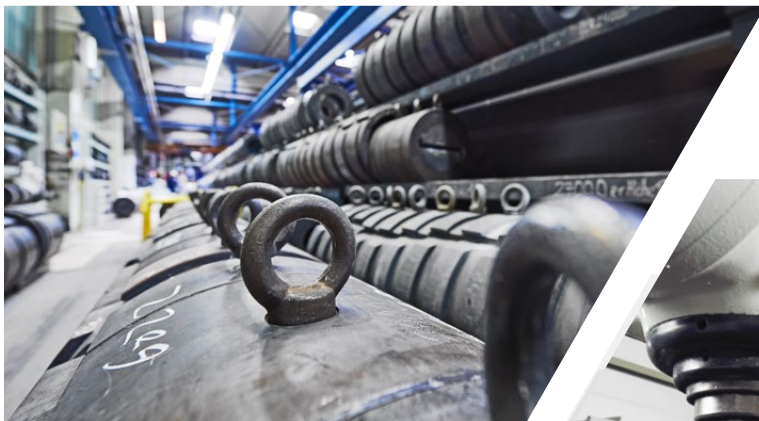


We are here for you ...

... fast

// delivery and reaction times

It is not enough to simply satisfy our customers. We want to inspire them. The passion with which we respond to their wishes and suggestions is as great as the passion that we invest in our products every day. Prompt, smooth delivery and professional customer care pave the way to the enthusiasm of our customers.



... competent

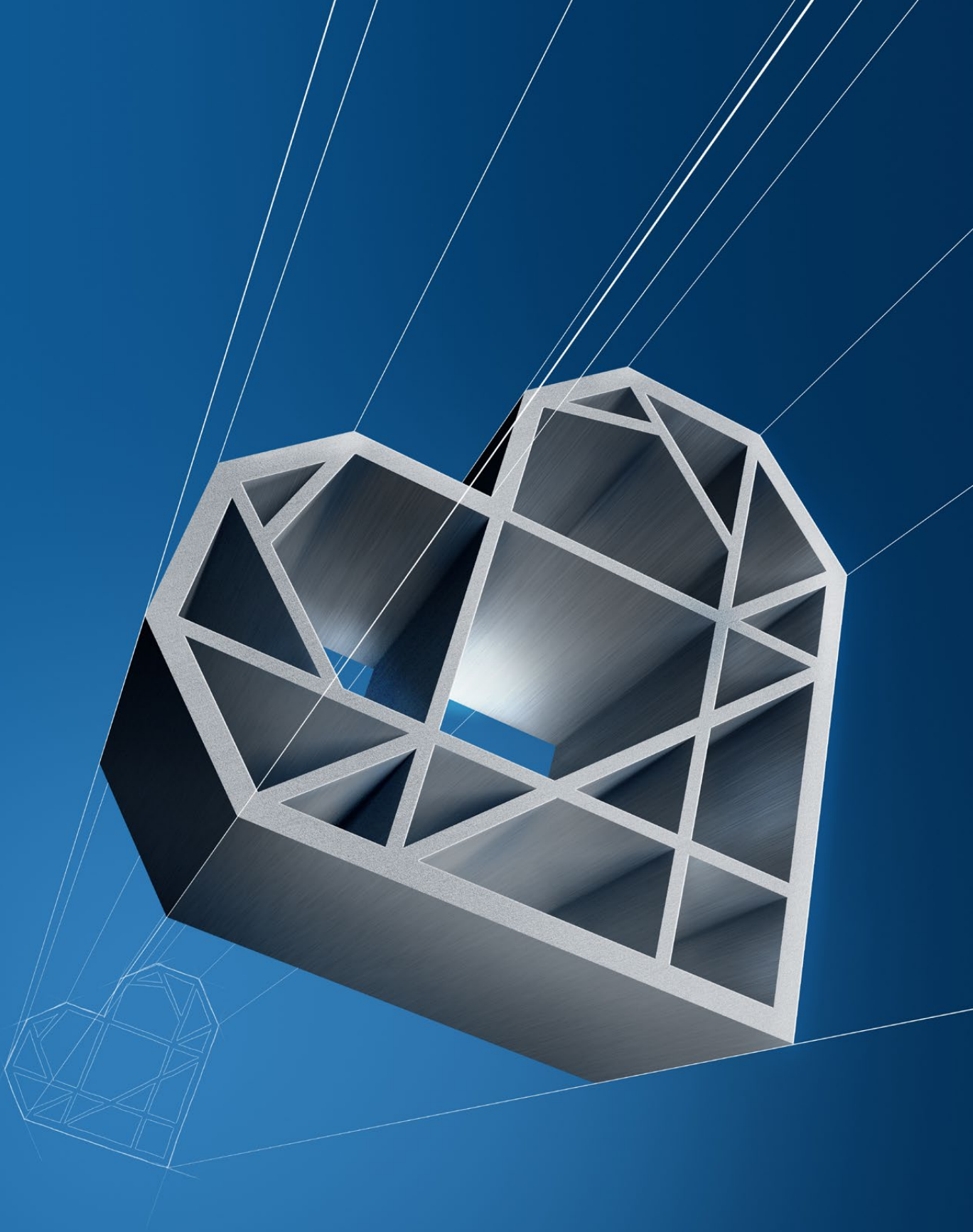
// in providing support

As we have augmented our knowledge in the aluminium field for many years, we bring our competence and long-term experience to the table when providing support for our customers. Our know-how and technical skill is particularly useful when advising them on the design of new profiles.

... powerful

// with outstanding qualifications and quality

A high level of competence and extensive knowledge are essential to be able to provide the best possible goods and services. In line with our credo “quality through qualification”, we not only invest continuously in our production facilities and research, but also in training our workforce. We are also committed to utilising the valuable expert knowledge that our international partnerships offer us.



**Quality is
the product
of attention
to detail.**

// Andreas Tenzer

Broad knowledge base with global partners

As part of the Sankyo Tateyama Group, we are able to make selective use of international synergies. We have access to specialised know-how and are able to exchange valuable experience which put us in a position to further our competence on an ongoing basis. This consistent growth in knowledge translates into tremendous advantages, especially for our customers. At the same time our five facilities in Germany, Belgium and China are able to make use of their specialised know-how for the European and Asian markets.



// Bitterfeld



In the hundred years of its existence, the Bitterfeld plant has evolved to become a leading expert in the production of highly-developed metallurgical products. In addition, the plant is responsible for the extrusion of special forge alloys.

// Duffel



Today, the plant in Belgium is one of the most advanced manufacturers of premium hard alloys as well as ingots and bars for high-end applications. Ultrasound testing of blanks and bars offers a special added value.

// Bonn



This plant, which has been in operation since 1921, has one of the largest presses in Europe, which is also used for the production of large profiles. The patented special alloys for crash applications are produced in the company's own foundry.

// Tianjin



Since 2000 the plant at one of the largest commercial ports in China has opened the door to the Asian market. Focusing on the automotive sector, it is responsible for the production of safety parts and crash components.

// Vogt



The plant founded in 1952 not only has an ideal location in South Germany near the Swiss and Austrian borders, but also a wide special alloy knowledge base.

Bitterfeld

ST Extruded Products Germany GmbH
Devillestrasse 2
06749 Bitterfeld, Germany

Bonn

ST Extruded Products Germany GmbH
Friedrich-Wöhler-Strasse 2
53117 Bonn, Germany

Vogt

ST Extruded Products Germany GmbH
Bergstrasse 17
88267 Vogt, Germany

Duffel

Sankyo Tateyama Europe BVBA
A. Stocletlaan 87b
2570 Duffel, Belgium

Tianjin

ST Extruded Products (Tianjin) Co., Ltd
No. 18, Shuangjiang road, Beichen
Tianjin 300400, China

www.step-g.com

ST Extruded Products / Group

Member of the Sankyo Tateyama Group

STEP/G